



Internal Mounting Bracket for Ceiling/Transom Installation

Common to HR100 Series & SSP-R1

INSTALLATION INSTRUCTIONS

When this product is used with HR100 series remember to remove the back plate from the HR100 sensor so that the sensor body will fit into the cover. In order to avoid the inner row of detection from seeing the moving door leaf it is recommended that when used in conjunction with the HR100 series this bracket is only used for ceiling installation. When you use this product with SSP-R1, it can be used for both ceiling and Door Transom Installation since SSP-R1 has the ability to "learn" door movement



WARNING

This symbol indicates extremely dangerous situations. If users ignore this symbol and handle the device the wrong way, serious injury or death can result.



CAUTION

This symbol indicates dangerous situations. If users ignore this symbol and handle the device the wrong way, injury or damage to the equipment can result.

1. Parts Identification

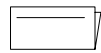


Outer Case

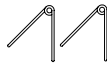


Cover

<Accessories>



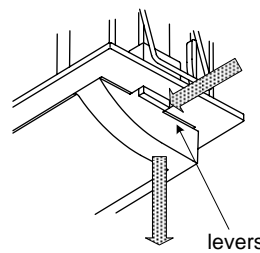
Instructions



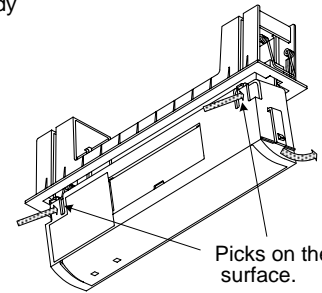
Torsion Spring #2

2. Remove the Sensor

Remove the cover and the sensor body from the outer case as shown below.



Press the levers on both sides of the cover pull down the cover.



Press the picks and remove the sensor body by turning it towards the door

3. Mounting the outer case

1. Cut a mounting hole(43mmx244mm) at the place where the sensor is mounted.

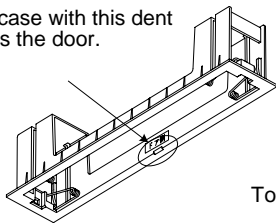


WARNING

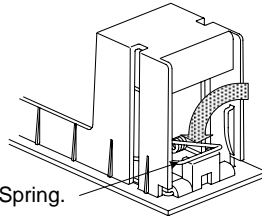
When installing, ensure that there is no wiring around the mounting hole that could cause accidents such as electric shock etc. Choose a mounting location where vibrations will not be transmitted to the sensor body.

2. The side of the outer case that should face the door is indicated. Bring down the torsion spring of both sides toward inside.

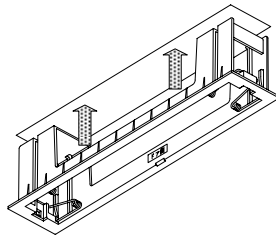
Fix the outer case with this dent facing towards the door.



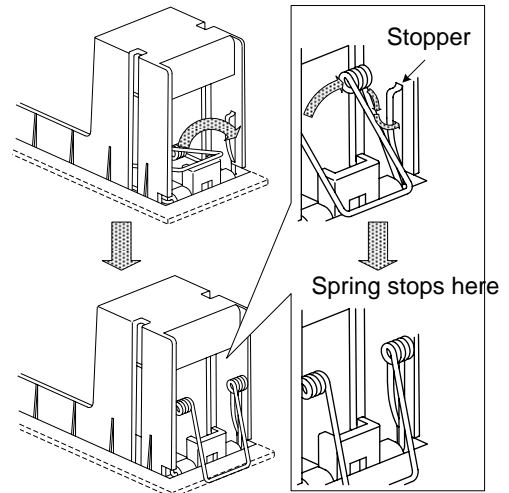
Torsion Spring.



3. Insert the outer case into the mounting hole



4. After inserting the outer case inside the mounting hole, push up the torsion springs. Start Sensor Wiring after confirming that the outer case is firmly fixed.



Stopper

Spring stops here



CAUTION

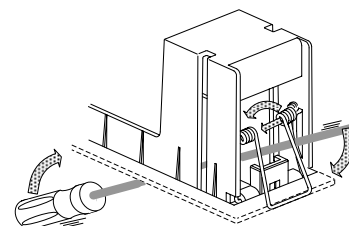
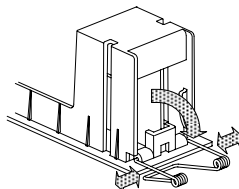
Before the mounting work, confirm the board thickness where the outer case is mounted and choose the correct torsion spring as explained below

Torsion spring #1: 0 to 12mm(Supplied with the product)

Torsion spring #2: 12 to 25mm(Accessories)

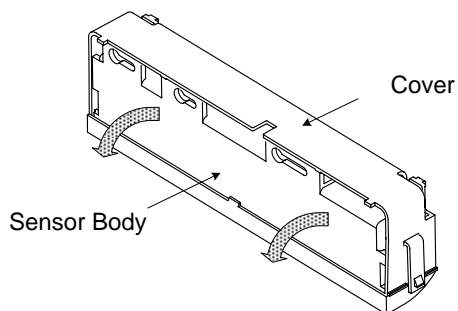
How to remove torsion spring.

Remove: Remove the torsion spring by bringing it down towards the outside and spreading it to both sides



4. How to mount the sensor body

1. Remove the sensor body from the cover. Implement sensor settings in accordance with sensor installation instructions.

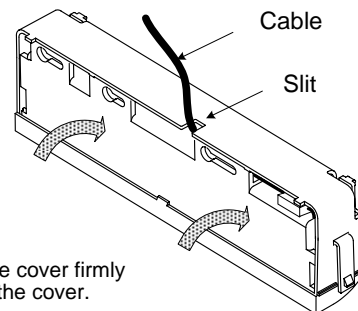


2. Wire the sensor and insert into cover again. Be careful not to move the sensor area adjusting levers when inserting the sensor back into the cover.

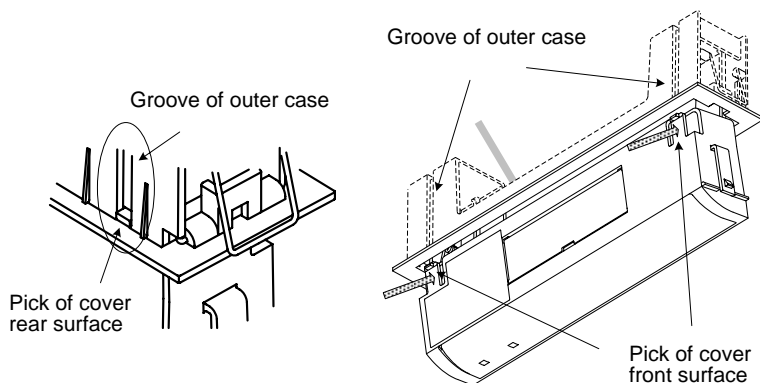


CAUTION

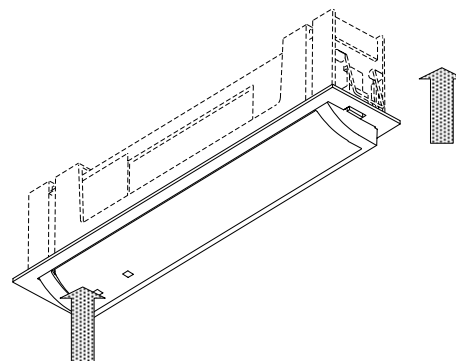
Accommodate the cable in the cover firmly and pull it out from the slit of the cover.



3. Insert the picks of the cover on the rear into the groves of the outer case then put the 2 picks on the front surface of the cover into the groves of the outer case by pressing them gentle inwards.



4. Push the cover into the outer case until the click sound is heard. After installation, confirm that the sensor works in accordance with installation instructions



*When sensor setting needs to be changed after installation certain setting can be changed by opening the front lid of the cover.

The following settings can be changed

- Each DipSW
- Sensitivity Volume
- Area Mask

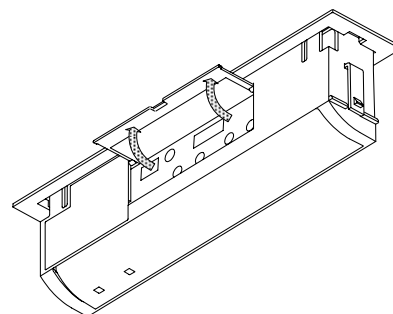
The following settings cannot be changed.

- Area Adjustment Levers.
(Area adjustment levers can only be changed by removing the sensor body from the cover)

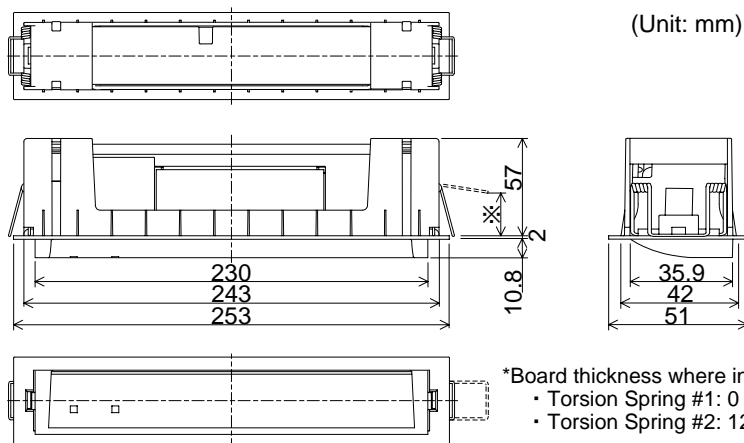


CAUTION

After setting, shut and fasten the front lid on the cover. If it is not fastened firmly, the outer case cannot accommodate sensor body correctly.



5. External Dimensions



HOTRON CO., LTD.

Hotron Co., Ltd.

1-11-26 Hyakunin-cho,
Shinjuku-Ku, Tokyo, Japan

Phone: +81-3-5330-9221

Fax: +81-3-5330-9222

URL: <http://www.hotron.com>

Hotron Ireland Ltd.

26 Dublin Street (2nd Floor),
Carlow, Ireland

Phone: +353-(0)59-9140345

Fax: +353-(0)59-9140543

URL: <http://www.hotron.com>

MP-10059

'11. 09

MADE IN JAPAN