

PROXIMITY READER BESAFE READER NEW



Proximity Reader for CARD e KEY using with the receiver BeSafe RX New and the interface INT 2206 NEW.

IMPORTANT FOR THE INSTALLER

- The control unit must be supplied by SELV (safety extra low voltage) or SELV equivalent power limited source.
- All operations, which require the opening of the case (installation, programming and repair, etc.), must be carried out by experienced staff.
- The fixing of power cables and connection cables must be guaranteed by assembling cable glands supplied optional.
- Secure the plastic cover of the device to a wall inserting the mounting screws in the provided spaces.

IMPORTANT FOR THE USER

- The device can be used by children over the age of 8 years or people with limited psychological or physical abilities or with little knowledge and experience only when supervised or trained on the operation and how to use safely to understand the dangers involved in its use.
- These instructions are available on the website www.seav.com
- Do not allow children to play with the device and keep the radio controls out of their reach.
- Frequently examine the plant to detect any signs of damage. Do not use the device if you need a repair.
- Always remember to turn off the power before cleaning or maintenance works.
- The cleaning and maintenance works shall not be made by children without being supervised.

ATTENTION: keep this instruction manual and respect the important safety instructions contained inside. The non-compliance with the prescriptions may cause damages and serious accidents.

The product:

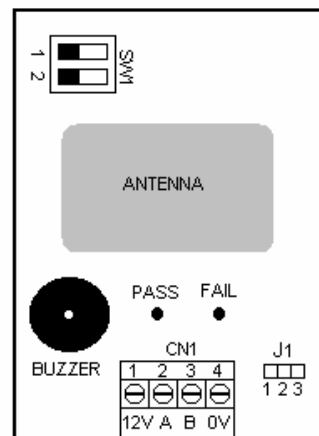
Proximity Reader BeSafe Reader New

Complies with the requirements of the Directive EMC2014/30/EU.

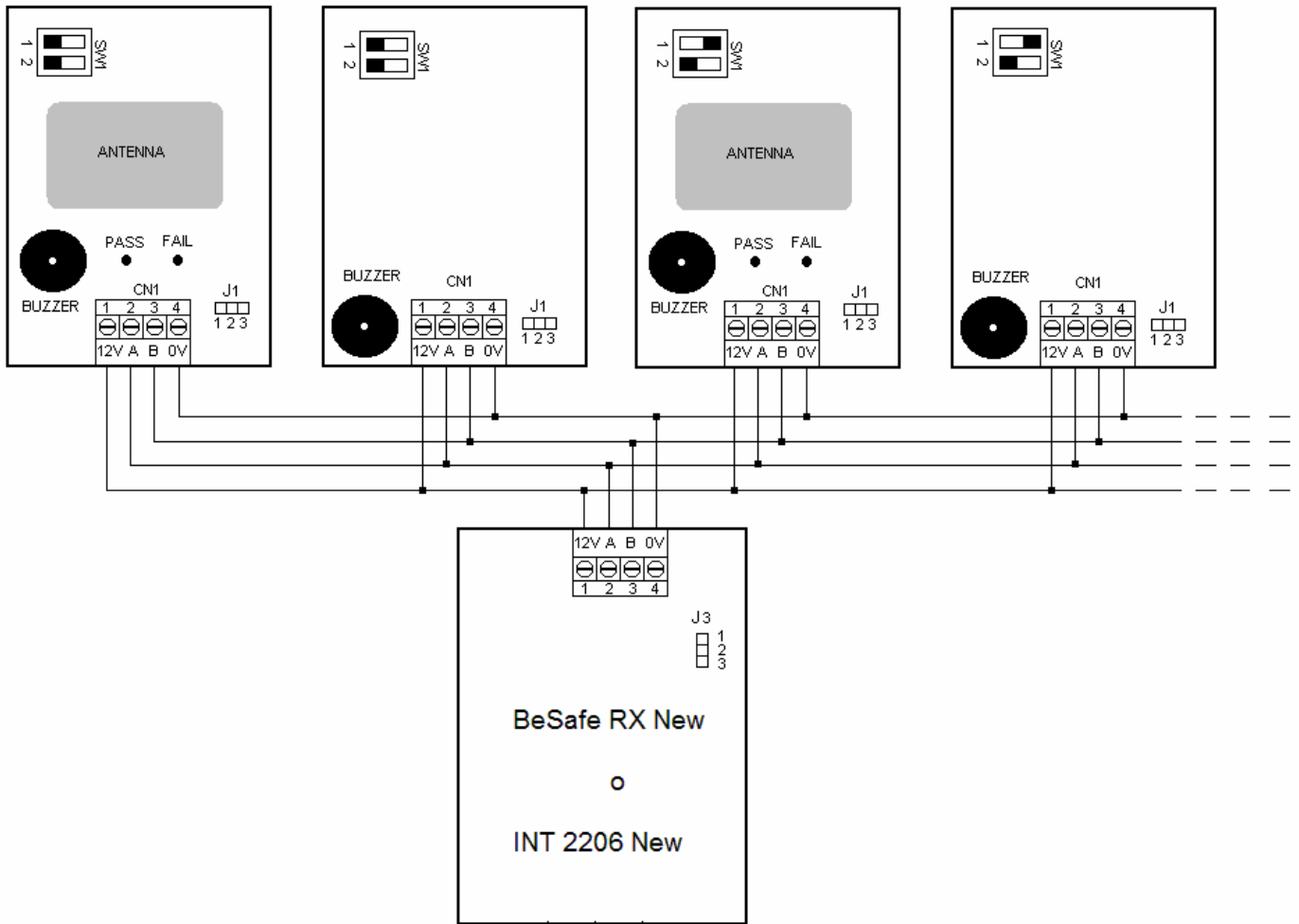


TECHNICAL CHARACTERISTICS

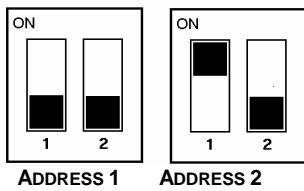
- | | |
|-------------------------|----------------|
| - Supply: | 12Vdc |
| - Max consumption: | 20 mA |
| - Cable length : | 100 mt. Max. |
| - Reading Range: | 0 ÷ 4 cm. Max. |
| - Working temperature : | -10°C ÷ +55°C |
| - Dimensions: | 80x54x38mm |
| - Cover: | PC (UL94V-0) |
| - Degree of protection: | IP55 |



CONNECTING BUS TO THE RECEIVER BeSafe RX NEW OR TO THE INTERFACE INT 2206 NEW

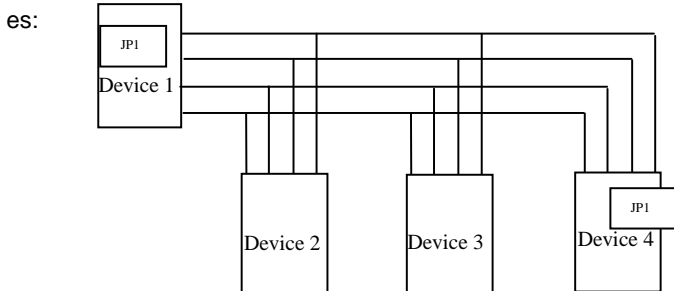


They can be connected to every single receiver BeSafe RX New or Interface INT 2206 New, up to two devices BeSafe Reader New. Using dip switch SW1 it must first be assigned to each of the two BeSafe New Reader its own address:



The communication is via standard RS485. It is possible to make connections with cable lengths up to 100 m. In case of communication problems it is recommended to move the jumper J1 to 1-2 (insertion of the terminating resistor) on devices located at the ends of the links:

- J1 pos. 1-2 = inserted termination resistance.
- J1 pos. 2-3 = not inserted terminating resistor (default).



In the example above the jumpers should be placed on devices n. 1 and n. 4, irrespective of the type of device.

MODE OF OPERATION PROXIMITY READER

The proximity reader is equipped with two signaling LED green "PASS" and red "FAIL" and a buzzer for signaling the various stages of operation. Simply approach the CARD or the KEY to a maximum distance of 3-4 cm. and the reader will emit two short sounds "Beep" and simultaneously the green LED will light, if the transponder is already stored in the receiver BeSafe RX New or Interface INT 2206 New, otherwise the reader will emit a long-term "Beep" and simultaneously the red LED turns on.