

L8542663

02/2017 rev 2

ONE.2WI
ONE.2WB
ONE.2W0



ADVANTOUCH
READY

ADVANCED-ROLLING-CODE

arc
128bit
SECURITY

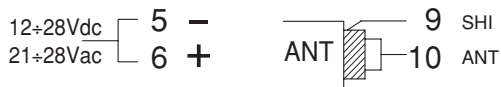
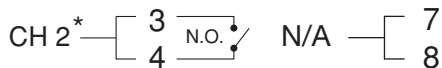
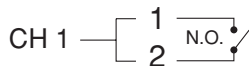
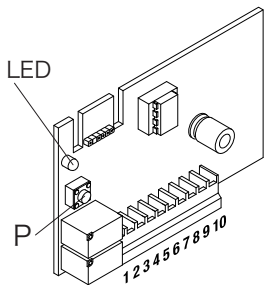


BENINCA[®]
TECHNOLOGY TO OPEN

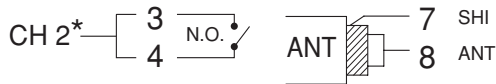
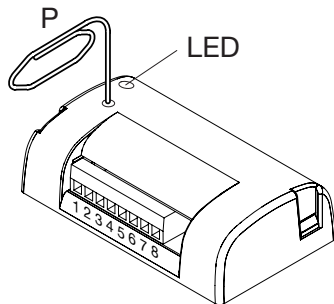
*UNIONE NAZIONALE COSTRUTTORI
AUTOMATISMI PER CANCELLI, PORTE
SERRANDE ED AFFINI*



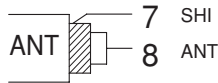
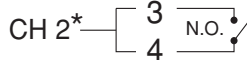
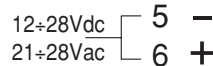
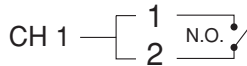
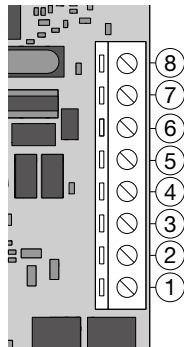
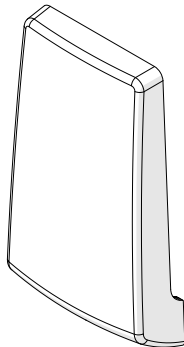
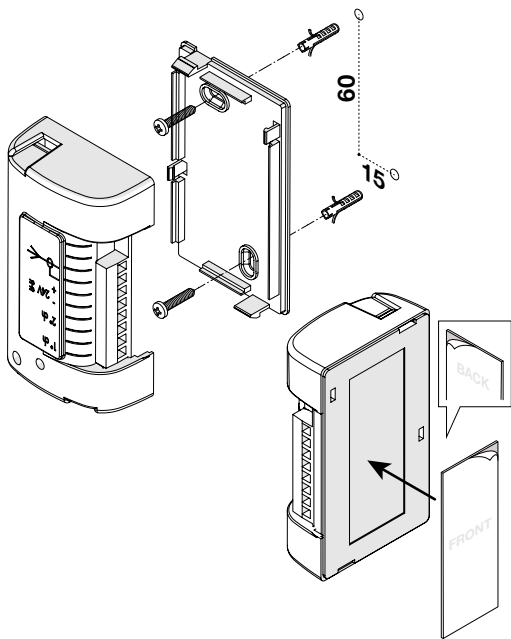
ONE.2WI

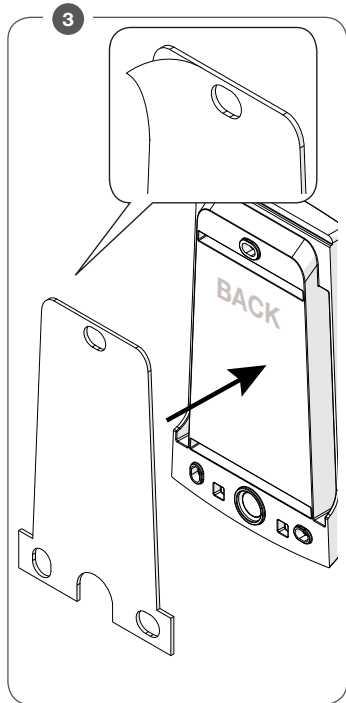
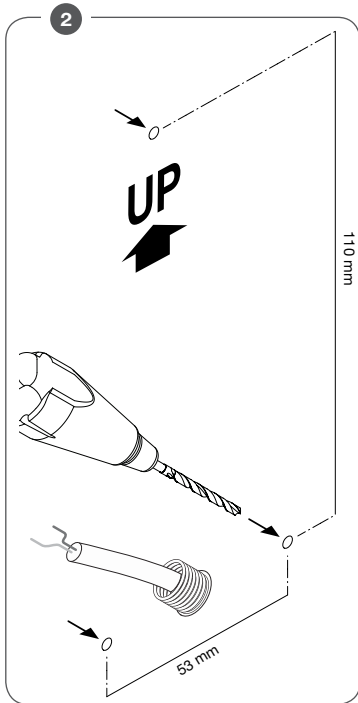
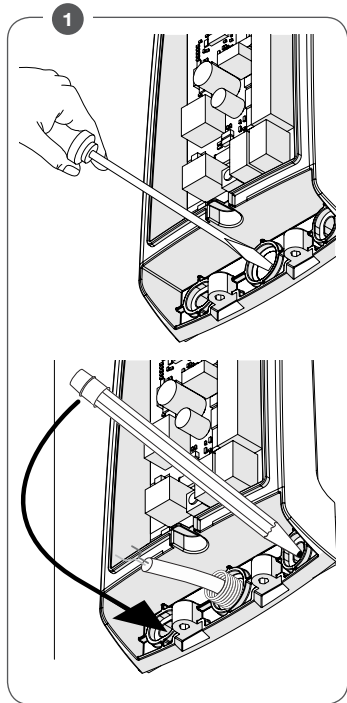


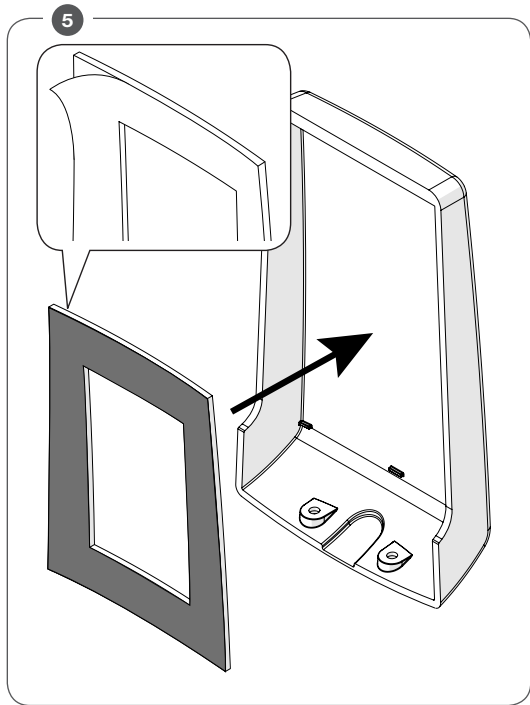
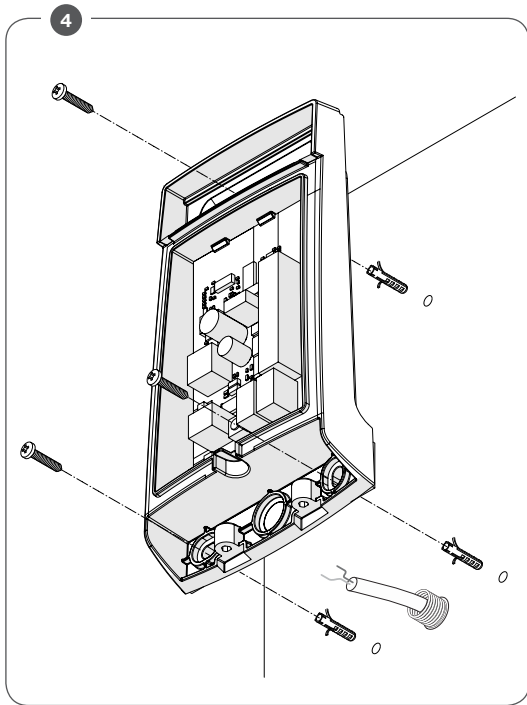
ONE.2WB



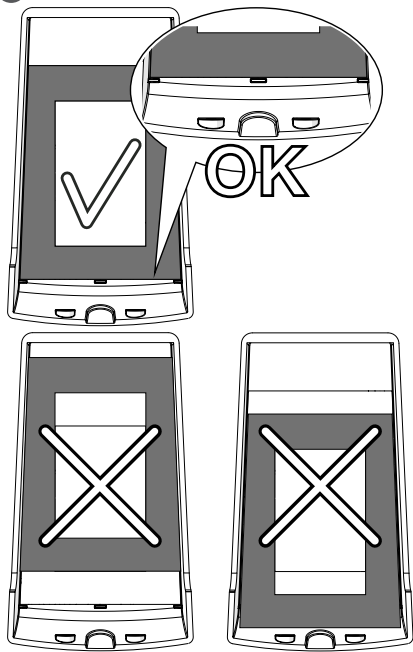
ONE.2WO



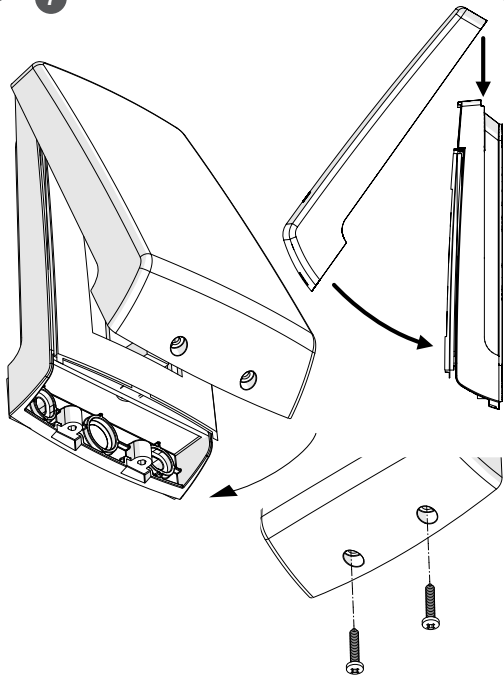




6



7



ENGLISH

433,92MHz Radioreceiver 1/2 channels, multiple decoding, compatible with Advantouch system.

They are available with Molex (ONE.2WI) socket or in a plastic box with terminal board (ONE.2WB) or in a plastic box for external use (ONE.2WO). The standard memory can contain 512 rolling-code, 433.92MHz, transmitters maximum. A special version is available with a memory that can hold 2048 transmitters. A full memory is indicated by 10 orange blinks.

N.B: The Advantouch palm programmer and related management software permit the use of certain advanced functions, please consult the relevant instruction manual for more information.

IMPORTANT:

The radio receiver ONE.2 is compatible with the new ARC (Advanced Rolling Code) transmitters which, thanks to 128-bit encryption ensure superior copy-security.

Storing new ARC transmitters is quite similar to that of normal rolling code transmitters with HCS coding, but be aware that:

- 1) ARC transmitters and Rolling Code HCS can not be stored in a single receiver.
- 2) The first transmitter memorized determines the type of transmitters to be used later. If the first transmitter memorized is ARC, you can not store Rolling code HCS transmitters, and vice versa.
- 3) Fixed code transmitters may only be used in conjunction with Rolling code HCS transmitters, bringing the logic (or dip / switch) CVAR OFF. They are, therefore, not usable in combination with the ARC transmitters. If the first rolling code transmitter stored is an ARC CVAR the logic is inoperative.
- 4) If you want to change the type of transmitters it is necessary to proceed with a receiver reset (as described in the manual).

To optimise reception install the antenna away from metal bodies and avoid positioning several receivers next to each other. If no antenna is used reception will be considerably reduced.

Memorising transmitters – Simplified procedure

To merely record one or more transmitters to activate the first channel, follow this simplified procedure:

- 1 Press and release the button P on the receiver.
- 2 The Red LED will light up for 3 secs, then go out for 1 sec and then light up again for 5 secs.
- 3 While the red LED is on, press the button on the transmitter to associate with channel 1.
- 4 Other transmitters can be then be recorded by pressing a button within 5 secs from recording the previous transmitter.
- 5 To end wait 5 secs, the receiver will exit programming.

Memorising a transmitter – Remote self-learning

If a transmitter has already been memorised on the receiver the remote radio self-learning feature can be used (without having to use the receiver button P). Proceed as follows:

- 1 Press the hidden button on the memorised transmitter.
- 2 Press, within 5 secs., the button on the memorised transmitter corresponding to the channel to associate with the new transmitter.
- 3 Press, within 5 secs., the button on the new transmitter to associate with the channel selected at point 2 above.
- 4 The receiver will memorise the new transmitter and promptly exit programming.

TABLE 1

| Mode | LED | Function | Operations |
|----------------------------------|----------------|---|---|
| 0 | Off | No function | Normal status. |
| Press the button P | | | |
| 1 | Red | Memorise channel 1 | The red LED will light up, wait 3 secs, the LED will go out and light up again, press within 5 secs the button on the transmitter to associate with channel 1.* |
| Press within 3 secs the button P | | | |
| 2 | Green | Memorise channel 2 | The green LED will light up, wait 3 secs, the LED will go out and light up again, press within 5 secs the button of the transmitter to associate with channel 2.* |
| Press within 3 secs the button P | | | |
| 3 | Orange | Memorise automatically channels 1 and 2 | The orange LED will light up, wait 3 secs, the LED will go out and light up again, press within 5 secs any button on the transmitter. Button 1 will be associated with channel 1, button 2 with channel 2.* |
| Press within 3 secs the button P | | | |
| 4 | Red Blinking | Set channel 1 times | The LED will give 5 rapid blinks. If button P is pressed during these 5 blinks the next mode is entered. After the 5 rapid blinks the Times menu is entered. See section "Times Mode" |
| Press within 3 secs the button P | | | |
| 5 | Green Blinking | Set channel 2 times | The LED will give 5 rapid blinks. If button P is pressed during these 5 blinks the next mode is entered. After the 5 rapid blinks the Times menu is entered. See section "Times Mode" |
| Press within 3 secs the button P | | | |
| 0 | LED Off | No function | Normal status. |

Programming

Transmitters can be memorised and separate channel modes can be set using the button “P” (see Fig.1/2). To go from one programming mode to the next press the button P within 3 secs from one press and another. Once having selected a programming mode, wait for about 3-4 secs and a LED signal with indicate that programming has been entered (see “Operations” column).

Table 1 lists the various programming modes.

** After pressing the button on the first transmitter the receiver will wait 5 secs to memorise another transmitter.*

In this way all the transmitters being associated with one channel can be recorded in sequence. After the 5 secs the receivers exits the programming mode. When using this method of recording in sequence it is best to temporarily remove the antenna thereby reducing the receiver’s range and limiting disturbance.

N.B.: Once a programming mode has been entered, other modes cannot be accessed. When programming several functions complete one programming sequence, indicated by the LED going out, and restart with a new programming mode.

| TABLE 2 | | | |
|--|-------------------|-----------------------|--|
| Mode | LED | Function | Operazioni |
| 1 | 1 rapid blink | Set pulse mode | If the P button is not pressed within 5 secs the channel is reset to the default pulse mode (1 sec switching). |
| Press the button P for at least 2 secs | | | |
| 2 | 2 rapid blinks | Select switching time | If the P button is not pressed within 5 secs the LED will start blinking at a rate of 1 blink/sec until the button P is pressed. The number of blinks counted before pressing the P button selects the switching time, as shown in table 3. |
| Press the button P for at least 2 secs | | | |
| 3 | 3 rapid blinks | Set Bistable mode | If the P button is not pressed within 5 secs the channel is set to the bistable mode: the relay changes status on each pulse. |
| Press the button P for at least 2 secs | | | |
| 4 | Off | No function | Normal status. |

TABLE 3

| LED Blinks | Switching Time | LED Blinks | Switching Time | LED Blinks | Switching Time | LED Blinks | Switching Time |
|------------|----------------|------------|----------------|------------|----------------|------------|----------------|
| 1 | 1s | 9 | 9s | 17 | 3,5m | 25 | 5m |
| 2 | 2s | 10 | 10s | 18 | 4m | 26 | 6m |
| 3 | 3s | 11 | 30s | 19 | 4,5m | 27 | 7m |
| 4 | 4s | 12 | 60s | 20 | 5m | 28 | 8m |
| 5 | 5s | 13 | 1,5m | 21 | 1m | 29 | 9m |
| 6 | 6s | 14 | 2m | 22 | 2m | 30 | 10m |
| 7 | 7s | 15 | 2,5m | 23 | 3m | | |
| 8 | 8s | 16 | 3m | 24 | 4m | | |

Times Mode

This function is only necessary when one of the two channels has to be set to be timed (from 1 sec to 10 min) or with bistable operation. The pulse operating mode is set by default (1 sec switching). To set the times enter mode 4 (for channel 1) or mode 5 (for channel 2) and wait until the end of the 5 rapid blinks. The Times submenu is described in table 2.

Resetting the memory

Cut off the power to the receiver. Press and keep pressed the button P. Restore the power keeping the button P pressed. The LED will light up red, after 5 secs it will blink rapidly alternating green-red, release the button. Wait for the LED to go out. The memory is now completely erased.

| Technical Characteristics | ONE.2WB/WI/WO |
|-----------------------------|--|
| Frequency | 433,92 MHz |
| Power supply | 21÷28 Vac 12÷28 Vdc |
| Range | Without antenna 30m with antenna 100m |
| Channels | 2 |
| Relay contact | 1A/24 Vdc |
| Working temperature | -20/+70°C |
| Consumption in standby | 10 mA |
| Consum. ch. 1 or 2 actuated | 42 mA |
| Consum.ch. 1 and 2 actuated | 66 mA |

Dichiarazione di Conformità UE (DoC)

Nome del produttore: **Automatismi Benincà SpA**

Indirizzo: **Via Capitello, 45 - 36066 Sandrigo (VI) - Italia**

Telefono: **+39 0444 751030**

Indirizzo e-mail: **sales@beninca.it**

Persona autorizzata a costruire la documentazione tecnica: **Automatismi Benincà SpA**

Tipo di prodotto: **Radioricevitore con frequenza 433,92MHz**

Modello/Tipo: **ONE.2WI/ONE.2WB/ONE.2WO** Accessori: **N/A**

Il sottoscritto Luigi Benincà, in qualità di Responsabile Legale, dichiara sotto la propria responsabilità che il prodotto sopraindicato risulta conforme alle disposizioni imposte dalle seguenti direttive:

Direttiva 2011/65/EU - Direttiva 2014/53/EU

Sono state applicate le norme armonizzate e le specifiche tecniche descritte di seguito:

EN 50581:2012 - EN 61000-6-2:2005, EN 61000-6-3:2007

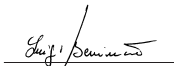
EN 60335-1:2012 + A11:2014; EN 60335-2-103:2015

ETSI EN 300 220-1 V3.1.1 - ETSI EN 300 220-2 V3.1.1

ETSI EN 301 489-1 V2.1.1 - ETSI EN 301 489-3 V2.1.1

Benincà Luigi, Responsabile legale.

Sandrigo, 27/07/2017.



Il Certificato di Conformità di questo documento corrisponde all'ultima revisione disponibile al momento della stampa e può risultare differente per esigenze editoriali dall'originale disponibile presso il produttore.

Il Certificato di Conformità più completo e recente è disponibile consultando il sito: www.beninca.com oppure può essere richiesto presso: Automatismi Benincà S.p.A - Sandrigo VI - Italy.

UE Declaration of Conformity (DoC)

Manufacturer's name: **Automatismi Benincà SpA**

Address: **Via Capitello, 45 - 36066 Sandrigo (VI) - Italia**

Telephone: **+39 0444 751030**

Email address: **sales@beninca.it**

Person authorised to draft the technical documentation:

Automatismi Benincà SpA

Product type: **433,92MHz frequency radioreceiver**

Model/type: **ONE.2WI/ONE.2WB/ONE.2WO** Accessories: **N/A**

The undersigned Luigi Benincà, as the Legal Officer, declares under his liability that the aforementioned product complies with the provisions established by the following directives:

Directive 2011/65/EU - Directive 2014/53/EU

The following harmonized standards and technical specifications have been applied:

EN 50581:2012 - EN 61000-6-2:2005, EN 61000-6-3:2007

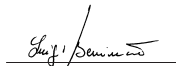
EN 60335-1:2012 + A11:2014; EN 60335-2-103:2015

ETSI EN 300 220-1 V3.1.1 - ETSI EN 300 220-2 V3.1.1

ETSI EN 301 489-1 V2.1.1 - ETSI EN 301 489-3 V2.1.1

Benincà Luigi, Legal Officer.

Sandrigo, 27/07/2017.



The certificate of conformity in this document corresponds to the last review available at the time of printing and could differ for editorial requirements from the original available from the manufacturer.

The most recent and complete certificate of conformity is available consulting the site: www.beninca.com or can be requested from: Automatismi Benincà SpA - Sandrigo VI - ITALY.

EG-Konformitätserklärung (DoC)

Name des Herstellers: **Automatismi Benincà SpA**

Adresse: **Via Capitello, 45 - 36066 Sandrigo (VI) - Italia**

Telefon: **+39 0444 751030**

E-Mail-Adresse: **sales@beninca.it**

Zur Erstellung der technischen Dokumentation berechnete Person:

Automatismi Benincà SpA

Produkttypus: **433.92 MHz Funkfrequenzempfänger**

Modell/Typus: **ONE.2WI/ONE.2WB/ONE.2WO** Zubehör: **N/A**

Der Unterzeichnete Luigi Benincà, in seiner Eigenschaft als Rechtsvertreter, erklärt eigenverantwortlich, dass das oben angegebene Produkt den durch die folgenden Richtlinien vorgegebene Bestimmungen entspricht:

Richtlinie 2011/65/EU - Richtlinie 2014/53/EU

Die harmonisierten Normen und technischen Spezifikationen, die unten beschrieben werden, wurden angewandt:

EN 50581:2012 - EN 61000-6-2:2005, EN 61000-6-3:2007

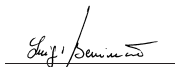
EN 60335-1:2012 + A11:2014; EN 60335-2-103:2015

ETSI EN 300 220-1 V3.1.1 - ETSI EN 300 220-2 V3.1.1

ETSI EN 301 489-1 V2.1.1 - ETSI EN 301 489-3 V2.1.1

Benincà Luigi, Rechtsvertreter.

Sandrigo, 27/07/2017.



Die in diesem Dokument vorliegende Konformitätserklärung entspricht der neuesten zum Druckzeitpunkt erhältlichen Revision und könnte aufgrund von verlegerischen Gründen vom beim Hersteller erhältlichen Original abweichen.

Die neueste und vollständigste Konformitätserklärung ist auf der Internetseite: www.beninca.com erhältlich oder kann bei folgender Adresse angefordert werden: Automatismi Benincà SpA - Sandrigo VI - ITALY.

Déclaration CE de conformité (DoC)

Nom du producteur : **Automatismi Benincà SpA**

Adresse : **Via Capitello, 45 - 36066 Sandrigo (VI) - Italia**

Téléphone : **+39 0444 751030**

Adresse e-mail: **sales@beninca.it**

Personne autorisée à construire la documentation technique :

Automatismi Benincà SpA

Type de produit: **Récepteur radio avec une fréquence de 433,92 MHz**

Modèle/Type: **ONE.2WI/ONE.2WB/ONE.2WO**

Accessoires : **N/A**

Le soussigné Luigi Benincà, en sa qualité de Représentant Légal, déclare sous sa propre responsabilité que le produit indiqué ci-dessus est conforme aux dispositions imposées par les directives suivantes:

Directive 2011/65/EU - Directive 2014/53/EU

Les normes harmonisées et les spécifications techniques décrites ci-dessous ont été appliquées :

EN 50581:2012 - EN 61000-6-2:2005, EN 61000-6-3:2007

EN 60335-1:2012 + A11:2014; EN 60335-2-103:2015

ETSI EN 300 220-1 V3.1.1 - ETSI EN 300 220-2 V3.1.1

ETSI EN 301 489-1 V2.1.1 - ETSI EN 301 489-3 V2.1.1

Benincà Luigi, Représentant Légal.

Sandrigo, 27/07/2017.



Le certificat de conformité présent dans ce document correspond à la dernière révision disponible au moment de l'impression et pourrait différer pour des exigences éditoriales de l'original disponible chez le constructeur.

Le certificat de conformité le plus récent et complet est disponible en consultant le site : www.beninca.com ou peut être demandé à : Automatismi Benincà SpA - Sandrigo VI - ITALIE.

Declaración CE de conformidad (DoC)

Nombre del productor: **Automatismi Benincà SpA**

Dirección: **Via Capitello, 45 - 36066 Sandrigo (VI) - Italia**

Teléfono: **+39 0444 751030**

Dirección de correo electrónico: **sales@beninca.it**

Persona autorizada a producir la documentación técnica: **Automatismi Benincà SpA**

Tipo de producto: **Receptor de radiofrecuencia de 433,92 MHz**

Modelo/Tipo: **ONE.2WI/ONE.2WB/ONE.2WO** Accesorios: N/A

El infrascrito Luigi Benincà, en calidad de Representante Legal, declara bajo su responsabilidad que el producto anteriormente mencionado resulta en conformidad con las disposiciones establecidas por las siguientes directivas:

Directiva 2011/65/EU - Directiva 2014/53/EU

Han sido aplicadas las normas armonizadas y las especificaciones técnicas que se describen a continuación:

EN 50581:2012 - EN 61000-6-2:2005, EN 61000-6-3:2007

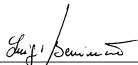
EN 60335-1:2012 + A11:2014; EN 60335-2-103:2015

ETSI EN 300 220-1 V3.1.1 - ETSI EN 300 220-2 V3.1.1

ETSI EN 301 489-1 V2.1.1 - ETSI EN 301 489-3 V2.1.1

Benincà Luigi, Representante Legal.

Sandrigo, 27/07/2017.



El certificado de conformidad presente en este documento corresponde a la última revisión disponible en el momento de la impresión y podría diferir por exigencias editoriales del original disponible en la sede del fabricante.

El certificado de conformidad más reciente y completo está disponible consultando el sitio: www.beninca.com o se puede solicitar a:

Automatismi Benincà SpA - Sandrigo VI - ITALY.

Deklaracja zgodności CE (DoC)

Nazwa producenta: **Automatismi Benincà SpA**

Adres: **Via Capitello, 45 - 36066 Sandrigo (VI) - Italia**

Telefon: **+39 0444 751030**

Adres e-mail: **sales@beninca.it**

Osoba upoważniona do stworzenia dokumentacji technicznej: **Automatismi Benincà SpA**

Rodzaj produktu: **433,92 MHz Odbiornik częstotliwości radiowej**

Model/Typ: **ONE.2WI/ONE.2WB/ONE.2WO** Akcesoria: N/A

Niżej podpisany/a Luigi Benincà, jako Przedstawiciel prawny, deklaruje na własną odpowiedzialność, że wskazany produkt jest zgodny z rozporządzeniami następujących dyrektyw:

Dyrektywa 2011/65/EU - Dyrektywa 2014/53/EU

Uwzględniono normy zharmonizowane i zastosowano niżej wskazane specyfikacje techniczne:

EN 50581:2012 - EN 61000-6-2:2005, EN 61000-6-3:2007

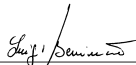
EN 60335-1:2012 + A11:2014; EN 60335-2-103:2015

ETSI EN 300 220-1 V3.1.1 - ETSI EN 300 220-2 V3.1.1

ETSI EN 301 489-1 V2.1.1 ETSI EN 301 489-3 V2.1.1

Benincà Luigi, Przedstawiciel prawny.

Sandrigo, 27/07/2017.



Certyfikat zgodności znajdujący się w niniejszym dokumencie odpowiada ostatniej aktualizacji dostępnej w momencie wydruku i może się różnić ze względów wydawniczych od oryginału dostępnego u producenta.

Najbardziej aktualny i kompletny certyfikat zgodności jest dostępny na stronie: www.beninca.com lub można się po niego zwrócić do:

Automatismi Benincà SpA - Sandrigo VI - WŁOCHY.

BENINCA[®]

AUTOMATISMI BENINCA[®] SpA

Via Capitello, 45 - 36066 Sandrigo (VI) - Tel. 0444 751030 r.a. - Fax 0444 759728
