

Access Control Switch Power Supply

Product Instruction

P 10



Application

The power supply is applied to access control devices and building intercom device and also for video access control. Especially suitable for different kinds of electric lock.

Through the standalone access controller control output or other switch signal to control electric lock. So that can decrease electric lock induced reverse current to interfere access controller, and increase safety and stability. It can be connected to different normal open or normal close electric locks.

Built-in time delay circuit that can set unlock time, set exit button input that can control unlock electric lock. Built-in protective circuit, when external circuit occurs short circuit or overheating, it will automatically disconnect voltage output. After 3 minutes of troubleshooting, it can normally work when power on. With output voltage protection function, does not cause damage to other devices.

Parameters

AC Input Voltage	AC 100~240V 50Hz/60Hz
Output Voltage	DC12V
Momentary Current	5A
Persistent Current	2A
Operating Temperature	-20°C ~ 60°C
Operating Humidity	≤90%RH
Time	0~15S
Size	85 x 65 x 27mm
Weight	0.14kg
Battery	NO

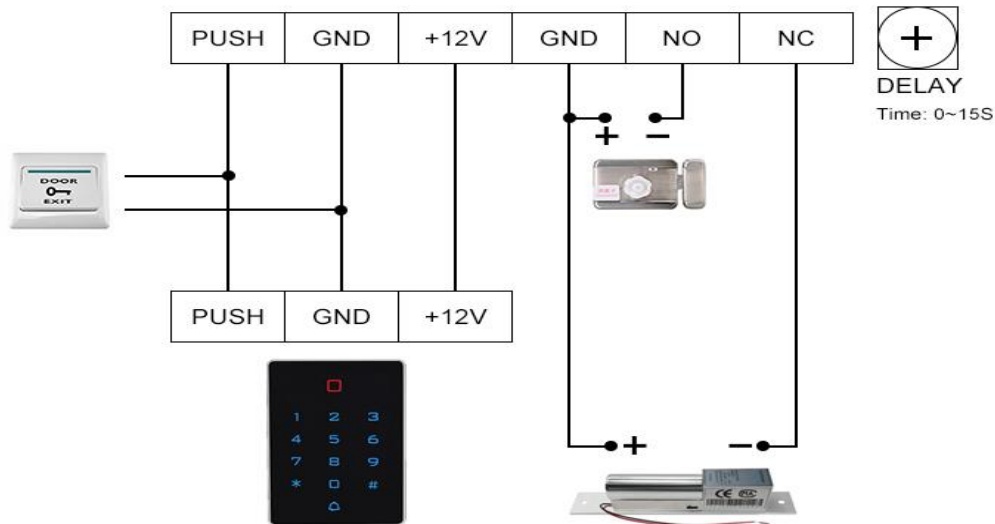
The input interface

L	Live wire
N	Null wire

Note: this interface for AC 100~240V input interface, when operating, please cut off the input power, to ensure safety under the condition of wiring again!



Wiring Diagram



Note: if the controller without PUSH output, please connect the NO of the controller to the PUSH of power supply, the COM of the controller to the GND of power supply.

PUSH and GND terminal: exit button input terminal, can control the lock to lock or unlock.

+12V and GND terminal: provide DC12V voltage to equipment.

NO and GND terminal: NO-Fail Secure, normal without output, after trigger, NO is the anode, output voltage is DC12V[0-15s].

NC and GND terminal: NC-Fail Safe, normal without output, after trigger, NC is the anode, output voltage is DC12V[0-15s].

NOTE:

Please adjust the delay time of open door to minimum when connect NO-F ail secure lock, such as electro-mechanical lock.

PUSH and GND is switch control input, forbid to connect electric signal to PUSH and GND.

Common fault and solution

Description	Analysis	Solution
Without voltage output	No AC voltage input	Plug in AC 100V~240V power
	External device short circuit	Cut off all external devices, after 3 minutes to measure output voltage
	The power supply is damaged	Contact supplier to repair
Lock does not lock	Wrong wiring	Please refer to wiring diagram, and connect again
	Power supply connect lock without voltage output	Refer to the above fault to check the problem
	The exit button line was wrong connected or short circuit	Remove the exit button wiring and observe the lock status
	If use electric lock, please check the lock plate	Match the lock with lock-plate, then the lock will lock

