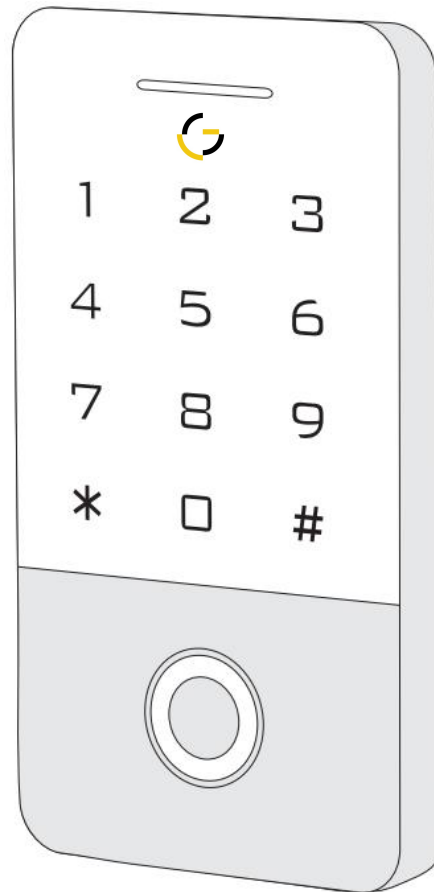


A2 - W WiFi User Manual



Please read and understand this instruction completely before installation or operation

1. Introduction

This series of product is a new generation of multi-function standalone access control . It adopts new ARM core 32-bit microprocessor design,which is powerful ,stable and reliable. It includes card reader mode and standalone access control mode etc.. Its widely applied to different occasions ,such as offices,residential communities, villa, bank and prison etc..

2. Features

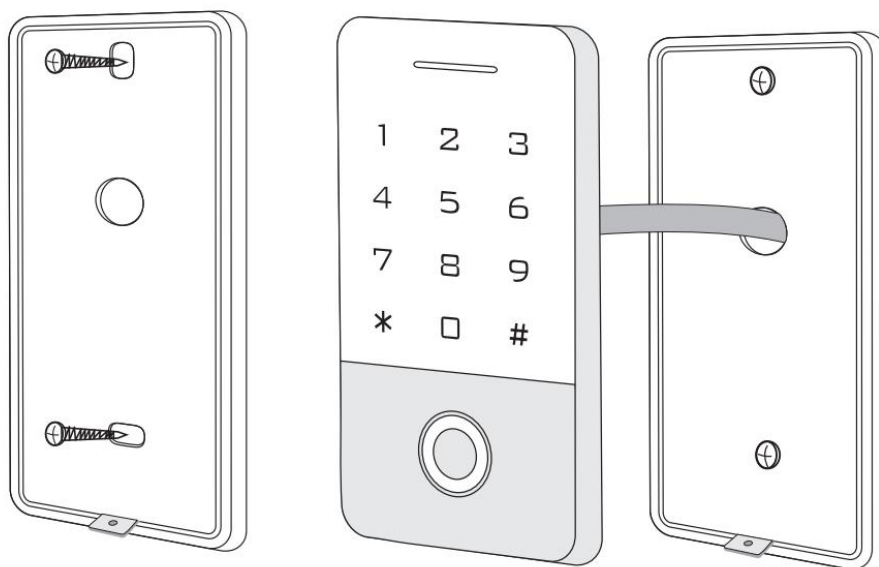
- Read 125KHz EM Card and HID Card (Optional)
- Read 13.56MHz Mifare card and CPU card (Optional)
- Mental backlight keypad
- Contains card reader mode. The transmission format could be adjusted by user.
- Supports different access ways: Entry by Card + Code or Entry by multi cards
- Support master added card and deleted card
- User capacity: 10,000 users

3. Technical Specifications

- Operating Voltage: DC 12-24V
- Standby Current: $\leq 35\text{mA}$
- Operation Current: $\leq 100\text{mA}$
- Operating Temperature: $-40^{\circ}\text{C} \sim 60^{\circ}\text{C}$
- Operating Humidity: $0\% \sim 95\%$
- Access ways: Fingerprint, card, code, or multiple combination method to access

4. Installation

- Remove the back cover from the keypad using the supplied special screw driver
- Drill 2 holes on the wall for the Self tapcodeg screws and 1 hole for the cable
- Put the supplied rubber bungs to into the two holes
- Fix the back cover firmly on the wall with 2 Self tapcodeg screws
- Thread the cable through the cable hole
- Attach the keypad to the back cover. (See the figure below)

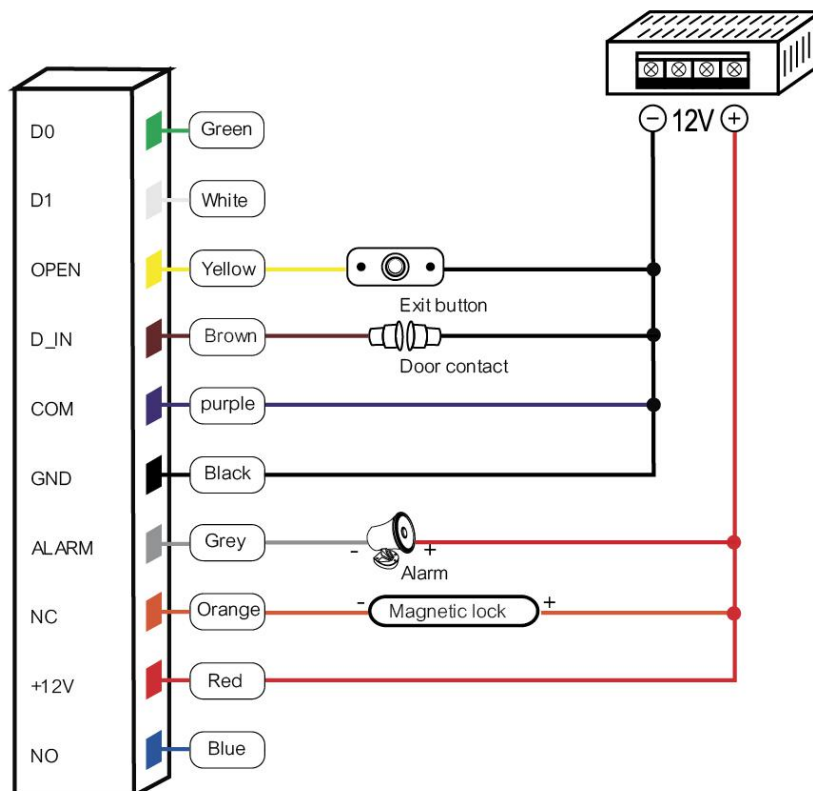


5. Wiring

No.	Color	Marks	Description
1	Green	D0	Wiegand input (Wiegand output as card reader mode)
2	White	D1	Wiegand input (Wiegand output as card reader mode)
3	Grey	Alarm	Alarm signal MOS tube drain output (optional)
4	Yellow	OPEN/ BEEP	Exit button input(Beeper input as card reader mode)
5	Brown	D_IN/ LED	Magnetic switch input (LED input as card reader mode) (optional)
6	Red	+12V	Positive power supply or AC power supply end
7	Black	GND	Negative power supply
8	Blue	NO	Relay NO end
9	Purple	COM	Relay COM end
10	Orange	NC	Relay NC end

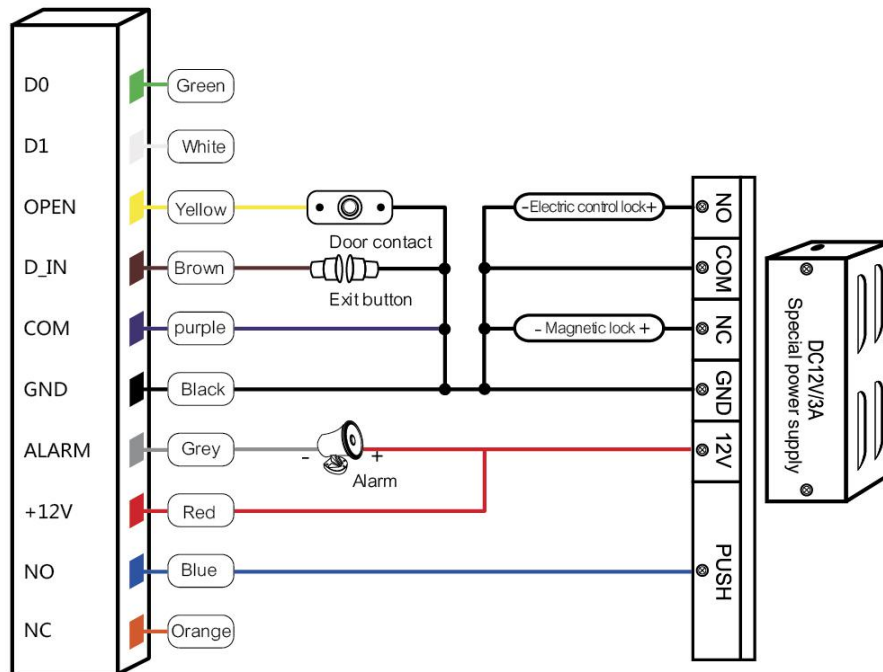
6. Diagram

6.1 Common Power Supply



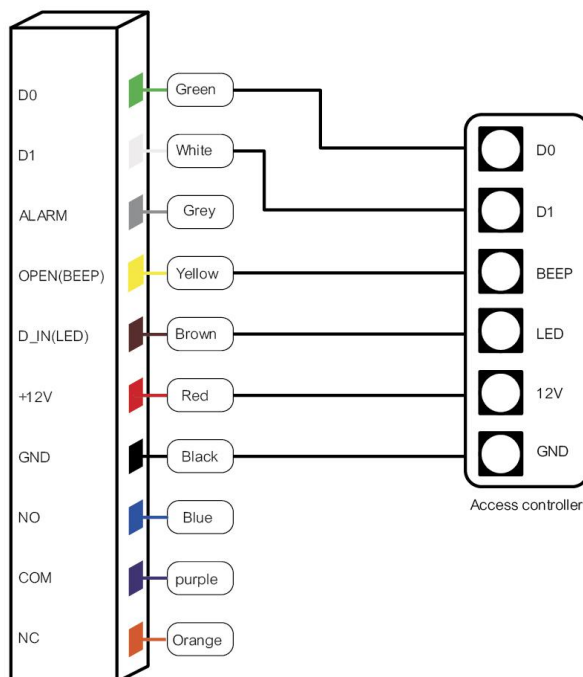
Note: The magnetic contact and alarm function is optional

6.2 Special Power Supply Diagram



Note: The magnetic contact and alarm function is optional

6.3 Card Reader Mode Diagram



7. Sound and Light Indication

Operation Status	Light indicator	Buzzer
Stand by	Red	
Operation successful	Green	Beep-
Operation failed		Beep-Beep-Beep-
Manager card enter programming		Beep-Beep-
Master card exit programming		Beep-
Press digital key		Beep-
Press * key		Beep-
Entering access code	Red indicator flash slowly	
After reading the card (Card+Code mode)	Red indicator flash slowly	
On process of reading multi user card	Red indicator flash slowly	
Enter programming mode	Red indicator flash slowly	
Enter setting status	Orange	
Unlocking	Green	
Buzzer alarm	Red indicator flash quickly	The alarm will whine

8. Administrator Menu

8.1 Standalone Mode Setting

Device Management

Enter programming mode: Press * (Master code) #			
Menu	Operation steps	Description	Default Value
00	(New master code) # (re-enter new master code) #	Change master programming code	999999
01	Read a card / Press fingerprint twice *	Set added card or added fingerprint	
02	Read a card / Press fingerprint twice *	Set deleted card or deleted fingerprint	
03	0#	Card reader mode	1
	1#	Standalone access control mode	
	2#	Toggle mode	
08		WIFI matching	Optional
09	Unlocking code code # (4-6 digits)	Public code	

Add and Delete Users

Enter programming mode: Press * (Master code) #			
Menu	Operation steps	Description	Default Value
11	Read a card / Press a fingerprint twice... *	Add card users or fingerprint users continuously	“...”refers to repeating the operation, without exiting the programming mode . Press * to exit.
	Enter 8 or 10 digits card number # ... *	Add a card users by card number	
	Enter a ID number # read a card / press fingerprint twice ... *	Add a card user or fingerprint user combine with a specific ID number	
	Enter a ID number # enter 8 or 10 digits card number # ... *	Add a card user by a card number combine with a specific ID number	
	Enter a ID number # enter the code # ... *	Add an independent code user combine with a specific ID number	
12	Read user card, press the first fingerprint twice, press second fingerprint twice...*	Combine a fingerprint to a card (Maximum 2 fingerprints)	
13	Enter a ID number # enter 8 or 10 digits card number # card quantity #	Add conductive number card	
Delete users			
21	Read a card / Press fingerprint once ... *	Delete a card user by reading card / Delete a fingerprint user by pressing a fingerprint	“...”refers to repeating the operation, without exiting the programming mode . Press * to exit.
	Enter 8 or 10 digits card number #... *	Delete a card user by card number	
	Enter a ID number # ... *	Delete a card user by ID number	
20	0000#	Delete ALL users	

Access Ways

Enter programming mode: Press * (Master code) #			
Menu	Operation steps	Description	Default Value
31	0#	Forbidden opening the door	4
	1#	Entry by code ONLY	
	2#	Entry by card ONLY	
	3#	Entry by card/fingerprint combine with a code	
	4#	Entry by card , fingerprint or code	
	5#	Entry by fingerprint ONLY	
	6#	Entry by fingerprint combine with card	
	7#	Entry by multi-fingerprint / multi-card	
32	1-10 #	1-10 # to set open door by mulit user cards	1

Advanced Setting

Enter programming mode: Press * (Master code) #			
Menu	Operation steps	Description	Default Value
41	(0-300) #	Door opening time range: 0-300S 0 refers to: 50mS	5
42	0 #	Alarming time set to 0, refers to NO alarm	0
	(1-99) #	Alarming time range: 1-99 min	
61	0#	Normal mode	0
	1#	Attempts 5 invalid users, the external alarm, and built-in buzzer will work	
	2#	Attempts 5 invalid users, the device will be locked out for 10 min	
62	0#	Disable light indicator	1
	1#	Enable light indicator	
63	0#	Disable the keypad backlight	1
	1#	Enable the keypad backlight	
	(2-99) #	Timed keypad backlight: 2-99 sec	
64	0#	Disable buzzer output	1
	1#	Enable buzzer output	

8.2 Card Reader Mode Setting

Enter programming mode: Press * (Master code) #			
Menu	Operation steps	Description	Default Value
00	(New master code) # (re-enter new master code) #	Change master programming code	999999
01	Read a card / Press fingerprint twice *	Set added card or added fingerprint	
02	Read a card / Press fingerprint twice *	Set deleted card or deleted fingerprint	
03	0#	Card reader mode	1
	1#	Standalone access control mode	
	2#	Toggle mode	
11	Press 1 st fingerprint twice, Press 2 nd fingerprint twice, ... *	Add fingerprint user continuously	“...”refers to repeating the operation, without exiting the programming mode . Press * to exit.
	Enter a ID number # press fingerprint twice ... *	Add a user by fingerprint combine with a specific ID number	
21	Press 1 st fingerprint, Press 2 nd fingerprint ... *	Delete a fingerprint user continuously	“...”refers to repeating the operation, without exiting the programming mode . Press * to exit.
	Enter ID number # ... *	Delete a user by the specific ID number	
20	0000#	Delete ALL user	
42	0#	Alarming time set to 0, refers to NO alarm	0
	(1-99)#	Alarming time range: 1-99 min	
51	(0-255)#	Set a device number	0
52	(26-58)#	Wiegand output : 26-58 bits	26
53	0#	Keystroke Wiegand 4 bits	0
	1#	Keystroke Wiegand 8 bits (inverse code)	
	2#	Virtual card number output	
62	0#	Disable light indicator	1
	1#	Enable light indicator	
63	0#	Disable the keypad backlight	1
	1#	Enable the keypad backlight	
	(2-99)#	Timed keypad backlight: 2-99 sec	
64	0#	Disable buzzer output	1
	1#	Enable buzzer output	

9. Master Card Operation

9.1 Added Card

...

Note: The added card is used to add user card continuously and quickly. Read the added card first time, sounds twice short beep beep sound, the indicator light turn to orange, which means you have entered into adding user program. To read the added card second time, you will hear a long beep sound once, the indicator light turn to red, which means you have exited the adding user program.

9.2 Delete Card

...

Note: The deleted card is used to add user card continuously and quickly. Read the deleted card first time, sounds twice short beep beep sound, the indicator light turn to orange, which means you have entered into adding user program. To read the deleted card second time, you will hear a long beep sound once, the indicator light turn to red, which means you have exited the adding user program.

10. User Operation

10.1 Change The User Code

Change the user code by card

Press

Note: The default code is 1234 is reserved which is invalid to unlock the door, user has to change to other code exception of 1234.

Change the user code by fingerprint

Press

Note: The default code is 1234 is reserved which is invalid to unlock the door, user has to change to other code exception of 1234.

Change the user code by ID number

Press

Note: The user has to get the ID number from the administrator to change the code. The code as 1234 is not available.

11 Other Operation

11.1 Remove the Alarm

or or

Note: When the alarm is activated, user can remove the alarm by reading a valid card or entering a valid code.

11.2 Reset to Factory Default

User could return all programmable options to the factory default values by resetting, when the master code is forgotten, or the default setting has been modified. Operation is as below:

Disconnect power from the device, press and hold down the # key or the exit button, apply power to the device more than 1 sec, keep holding the # key or the exit button until hearing twice beep sound. Release the # key or the exit button, the master code has returned to 999999, and all the programmable options returned to the factory default values.

Note: Registered users data WON'T be deleted when reset to factory default.

